

## TORQUE WRENCH PUMPS



- ✓ Tanks from 5 to 14 litres.
- ✓ Push button controlled solenoid valves.
- ✓ Internal safety valve set at 700 bar to prevent overpressure.
- ✓ Precision adjustable pressure regulating valve.
- ✓ 4 way / 2 position valve.
- ✓ For use with double acting torque wrenches only.
- ✓ Supplied with a 3 metre cable with remote pendant.
- ✓ Easy to operate: Pressing the button advances the tool and when releasing it retracts automatically.
- ✓ Option: Oil cooler. Add 'H' to the reference.



**AZ3**  
Coupler 3/8"-18 NPT included.



P.114

**AR2**  
Hoses



P.112

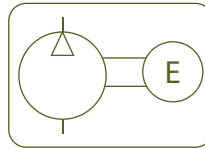


Performance under Pressure

TORQUE WRENCH PUMP

Couplers

Model	Coupler	Thread	Pressure
LARZEP	Type	NPT	bar
AZ3325	Male	Female 3/8"-NPT	1.000
AZ3326	Male	Male 1/4"-NPT	1.000
AZ3341	Female	Female 3/8"-NPT	1.000
AZ3346	Female	Male 1/4"-NPT	1.000



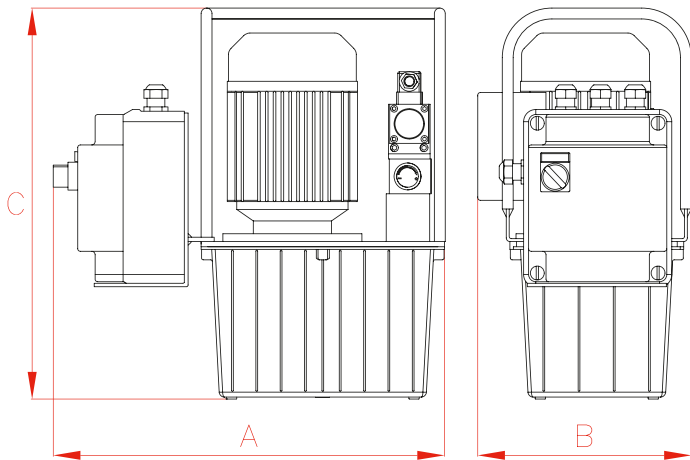
Type **HAT**

Capacity **5- 14 litres**

Max. pressure **700 bar**

AR, Twin Hoses

Int.	Hose 1	Hose 2	Pressure	Length		
mm	End	End	bar	3 m	6 m	10 m
6,4	2 x AZ3341	2 x AZ3325	700	AR2030G2	AR2060G2	AR2100G2



Capacity	A	B	C
l	mm	mm	mm
5	460	280	540
10	500	350	600
14	540	368	615

Tank	Flow at 700 bar	Flow at 60 bar	Valve	50 Hz Single Phase		60Hz Single Phase		Power	Weight
				l/min	l/min	ways/positions	230 V		
5	0,36	4	4/2	HAT7291	HAT7295	HAT7293	HAT7296	0,75	35
10	0,36	4	4/2	HAT7391	HAT7395	HAT7393	HAT7396	0,75	41
14	0,36	4	4/2	HAT7491	HAT7495	HAT7493	HAT7496	0,75	45

Tank	Flow at 700 bar	Flow at 60 bar	Valve	50/60 Hz 3 Phase		Power	Weight
				l/min	l/min		
5	0,36	4	4/2	HAT7292	HAT7294	0,75	32
10	0,36	4	4/2	HAT7392	HAT7394	0,75	38
14	0,36	4	4/2	HAT7492	HAT7494	0,75	42